

## **Installation Instruction for:**

**Flow Cell QV-Flow pHT**

**Flow Cell QV-Flow IS1000**

*swan*  
*Analytical Instruments*

SWAN ANALYTISCHE INSTRUMENTE AG, CH-8340 Hinwil  
TEL. +41 44 943 63 00, FAX +41 44 943 63 01 e-mail swan@swan.ch

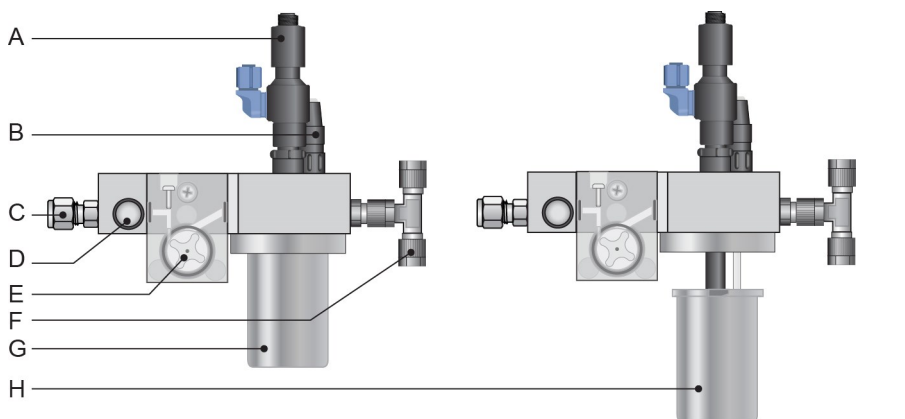


## Maintenance

The flow cell has a removable calibration vessel [G]. It is attached to the flow cell by a bayonet joint. Turn the calibration vessel left, to remove it from the flow cell.

Clean the flow cell with soap water and pipe cleaners. Rinse well with pure water. Do not use strong acids for cleaning.

### Flow cell overview



**A** *pH or ORP sensor*

**B** *Built-in temperature sensor*

**C** *Sample inlet*

**D** *Flow regulating valve*

**E** *Flow meter*

**F** *Sample outlet pressure free*

**G** *Calibration vessel attached*

**H** *Calibration vessel detached*

