

General-purpose flow cell for measurements with pH, redox and ion-selective electrodes in water.

## Features

- For installation of one or two electrodes and a temperature sensor with PG-13.5 thread.
- Suitable for electrodes with 12 mm diameter and a maximum shaft length of 120 mm.
- Removable sample vessel for easy sensor cleaning and calibration.
- Optional spray nozzle for sensor cleaning.
- Flow cell made of PVC and sample vessel made of PMMA.
- Can be mounted on an optional PVC panel together with Swansensor U-Flow.

## Scope of delivery

- Flow cell M-Flow 10-3PG
- Mounting parts (three M5 screws)
- Two PG13.5 blind plugs

## Sample conditions

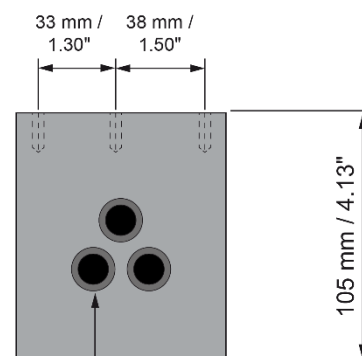
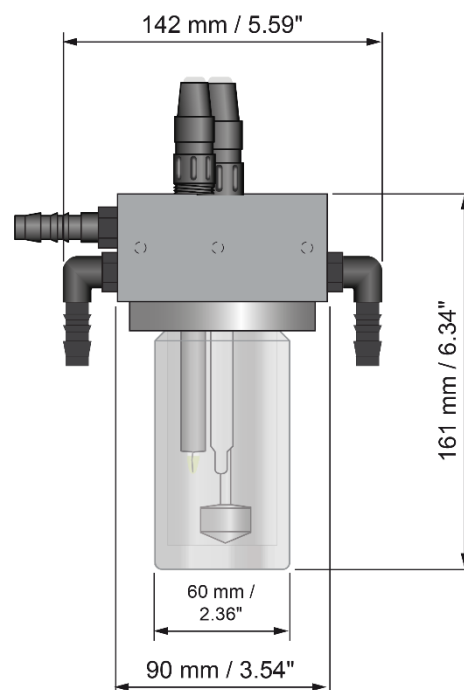
Operating temperature: max. 50 °C  
 Operating pressure: max. 1 bar  
 Sample flow: 3 to 15 L/h  
 Pressure and temperature specifications apply to the flow cell without sensors.

## Process connections

Inlet and outlet: Hose nozzle for 10 mm tube

## Suitable transmitters

Use with SWAN pH/Redox, Dual pH/Redox and ISE Universal transmitters.



3 x PG 13.5

Flow cell M-Flow 10-3PG with sensors and spray nozzle

Order numbers:	Flow cell M-Flow 10-3PG	A-83.416.330
Accessories:	For all accessories and details, please visit our website at <a href="http://www.swan.ch">www.swan.ch</a> .	
	Swansensor pH .....	A-87.1X0.200
	Swansensor Redox .....	A-87.4XX.200
	Swansensor Ammonium, Nitrate or Fluoride (requires Swansensor Reference FL) .....	A-87.7X0.010
	Swansensor Reference FL .....	A-87.860.100
	Swansensor Pt1000 PG13.5 .....	A-87.030.200
	Swansensor NT5K PG13.5 .....	A-87.020.200
	Spray nozzle for sensor cleaning .....	A-83.491.120
	PVC panel (280 mm x 280 mm) .....	A-89.410.210

