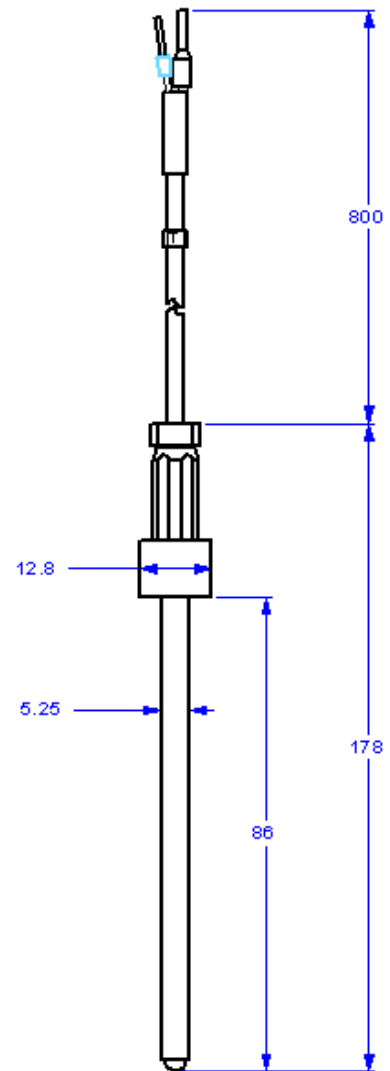


Precision temperature sensor for SWAN transmitters including cable.

**Swansensor NT5K with 0.8m fixed cable.**

**Specifications**

Temperature range:	-10°C to 100 °C
Sample pressure:	pressure-free
Shaft Material:	Polyolefin and glas tip
Protection degree:	IP 68
Total length:	178mm
Insertion length:	86mm
Diameter	5.25mm



**Figure 1:**  
**Swansensor NT5K with cable**

**Delivery includes:**

Sensor with fixed cable, 0.8m length, with sleeves.

<b>Order scheme</b>	<b>Swansensor Temperature NT5K with cable</b>	<b>A-87.</b>	<b>027.</b>	<b>020</b>
---------------------	---	--------------	-------------	------------