

Two-electrode conductivity sensor with hygienic design for inline measurement of high purity water.

### Application examples

- Measurement of purified water (PW) and water for injection (WFI) in the pharmaceutical industry

### Measurement

- Measuring range: 0.055 to 1000  $\mu\text{S}/\text{cm}$
- Accuracy at 25 °C:  $> \pm 2\%$  up to 500  $\mu\text{S}/\text{cm}$   
 $\pm 3\%$  from 500  $\mu\text{S}/\text{cm}$  to 1000  $\mu\text{S}/\text{cm}$
- Cell constant: 0.1  $\text{cm}^{-1}$
- Temperature sensor: Pt1000 (Class A, DIN EN 60751).

Specifications are valid in combination with SWAN Pharmacon transmitters.

### Materials

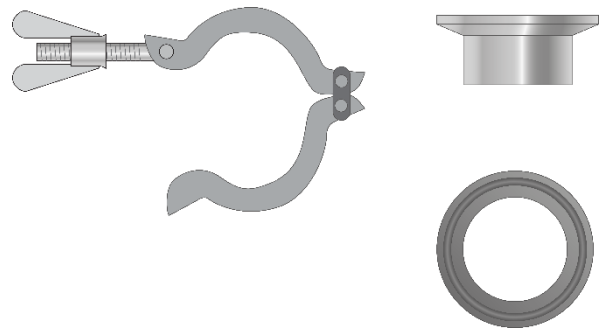
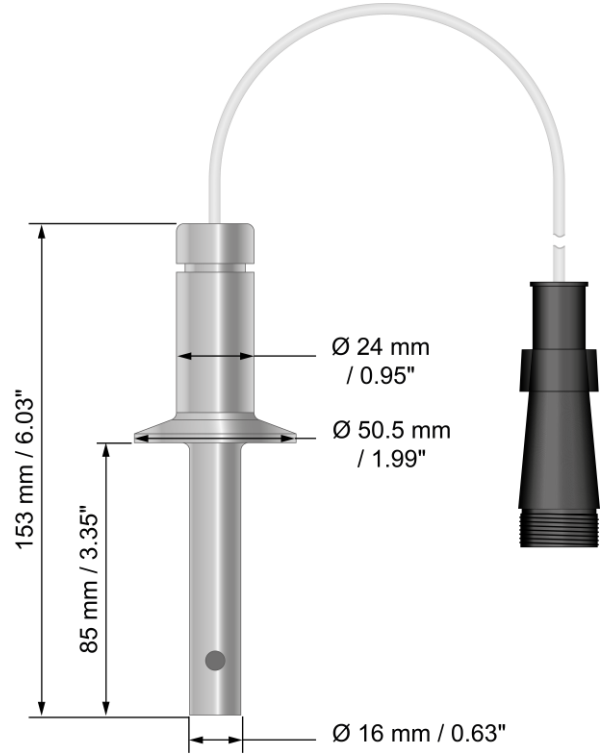
- Outer electrode (body): SS316L (1.4435)
- Inner electrode: Nickel alloy 2.4602
- Isolator: PEEK
- Electropolished sensor body  
Roughness:  $R_a < 0.4 \mu\text{m}$

### Operation and installation

- Operating temperature:  $-10\text{ }^{\circ}\text{C}$  to  $120\text{ }^{\circ}\text{C}$
- Sterilization temperature (SIP): up to  $155\text{ }^{\circ}\text{C}$
- Operating pressure: 17 bar at  $25\text{ }^{\circ}\text{C}$   
7 bar at  $95\text{ }^{\circ}\text{C}$
- Process connection: sanitary flange  $1\frac{1}{2}"$
- Electrical connection: fixed cable (~30 cm, PTFE) with M16 male plug (IP67)

### Accompanying certificates

- Calibration traceable to national standards.
- Material specifications of wetted parts.
- Inspection certificates 3.1 (EN 10204) of sensor body and electrode.



Clamp, welding nipple and sealing available as accessories.

Order numbers:	Swansensor Pharmacon SAN	A-87.335.100
Accessories	Cable with M16 connector and end sleeves, available in lengths of 1 m, 5 m, 15 m or 25 m .....	A-88.155.X20
	Clamp for sanitary flange (max. 6 bar) including welding nipple .....	C-87.329.010
	Sealing made of PTFE for sanitary flange.....	C-87.329.011

